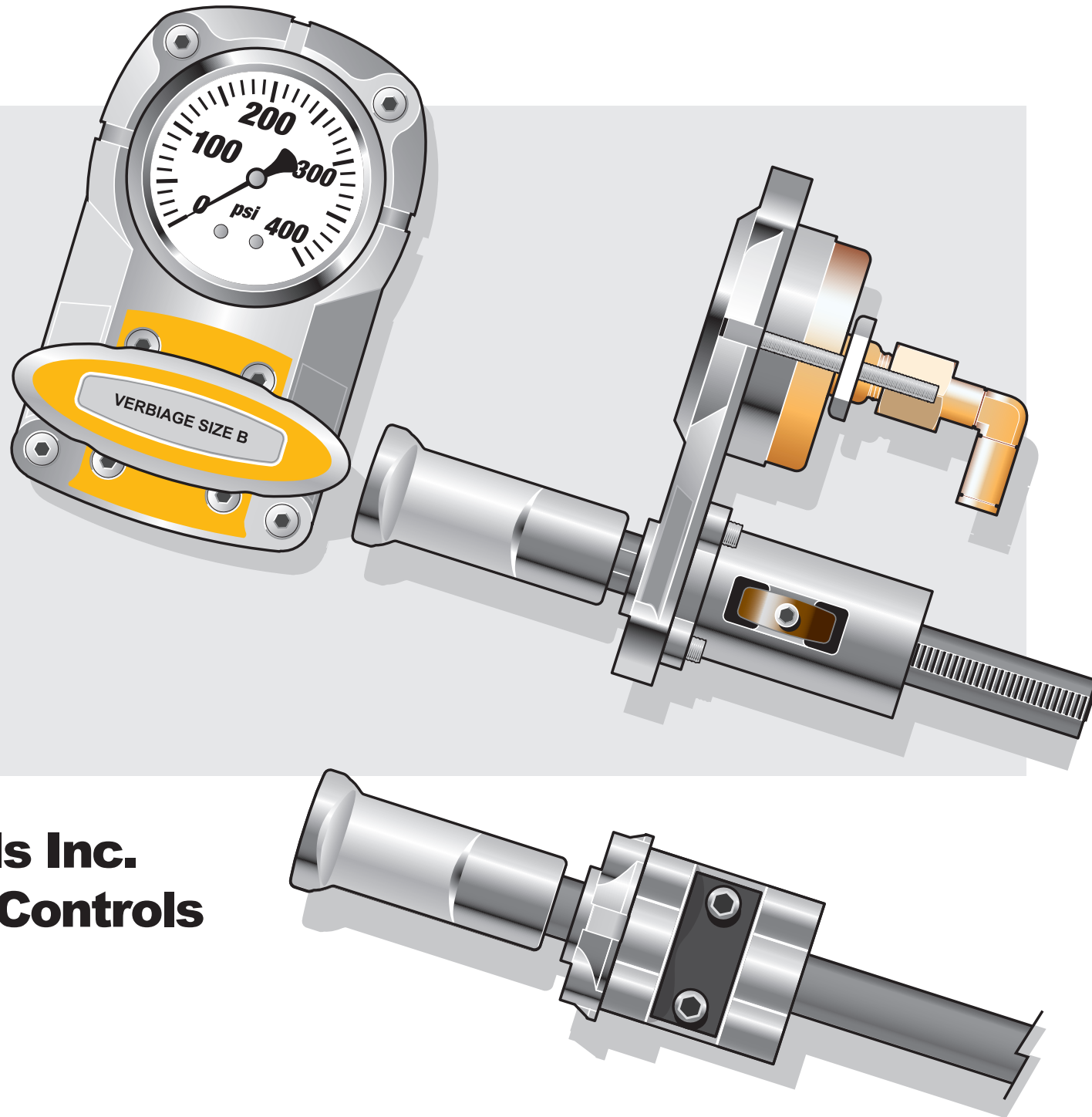
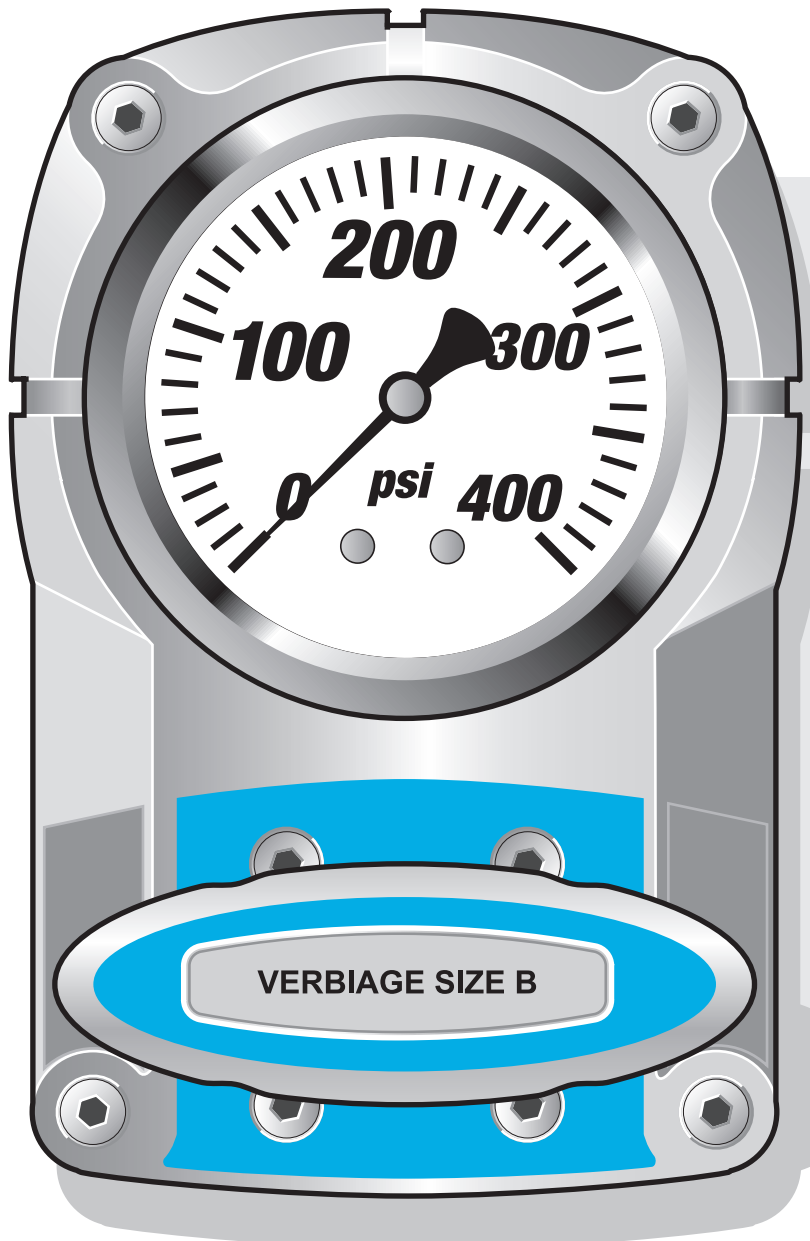




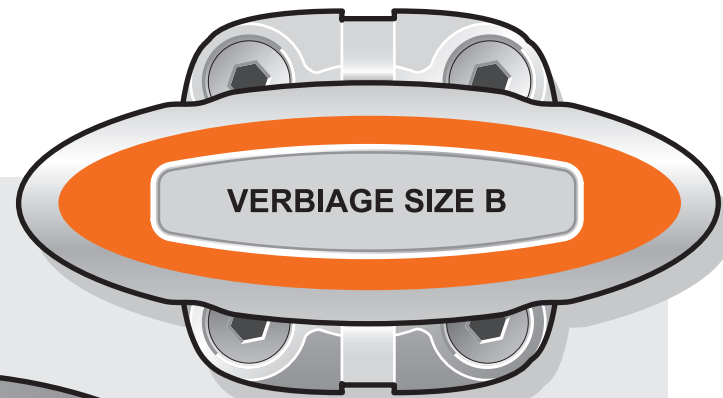
**Innovative Controls Inc.
Side Mount Valve Controls**



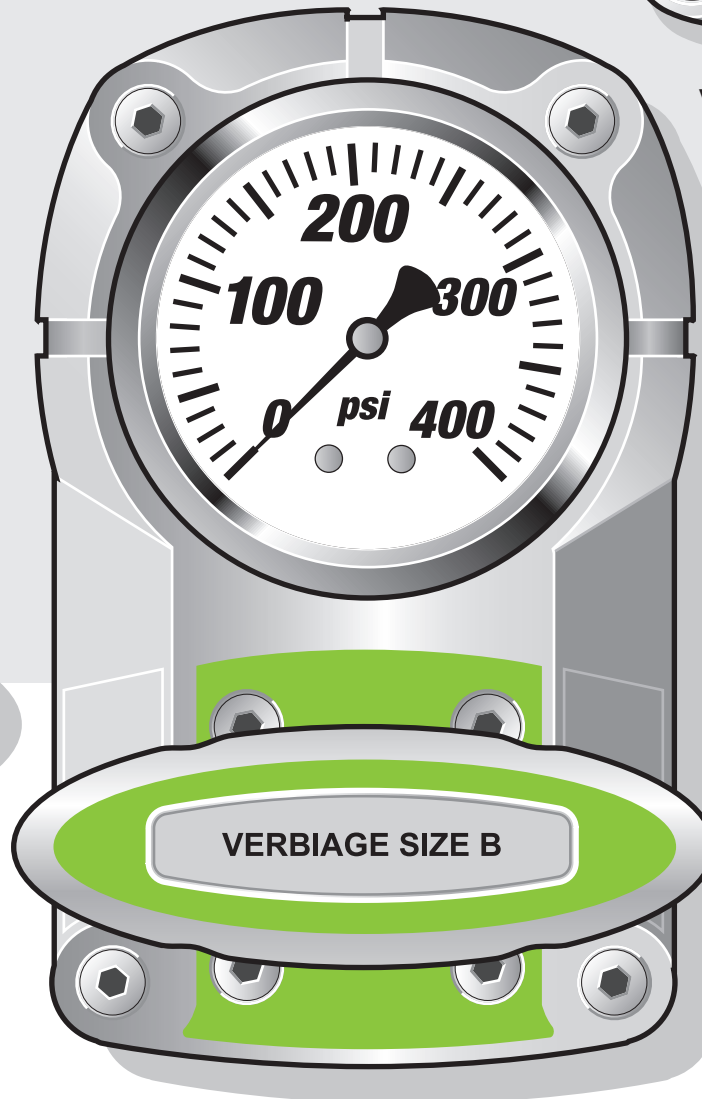


with 3" Gauge

Innovative Controls Inc
Side Mount Valve Control Assemblies



without Gauge



with 2 1/2" Gauge



Bid Specifications

Date Originated:	Revisions:	Revision Date:	Standards No.
Subject:			

Side Mount Push-Pull Valve Controls

For valve actuation, the apparatus pump panel shall be equipped with Innovative Controls Side Mount Valve Controls. The ergonomically designed 1/4 turn push-pull T-handle shall be chrome-plated zinc with recessed labels for color-coding and verbiage. The patented geared control rod, double-laminated locking clips, and rod housing shall be stainless steel and provide a true positive lock that will eliminate valve drift. Bronze and Teflon impregnated stainless steel bushings in both ends of rod housing shall minimize rod deflection, wear and lubrication, and ensure consistent long-term operation.

The control assembly shall include a decorative chrome-plated zinc plated-mounting bezel with recessed color-coding label(s) and, if desired, recessed CAFS or FOAM identifying labels.

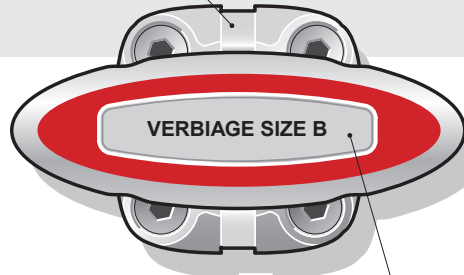
Location of side mount push-pull valve controls shall be:

Bid specifications available:

Optional FOAM or CAFS identifying labels can be installed in recessed areas on bezel.



The zinc decorative mounting bezels are chrome plated to the most stringent SAE standards.

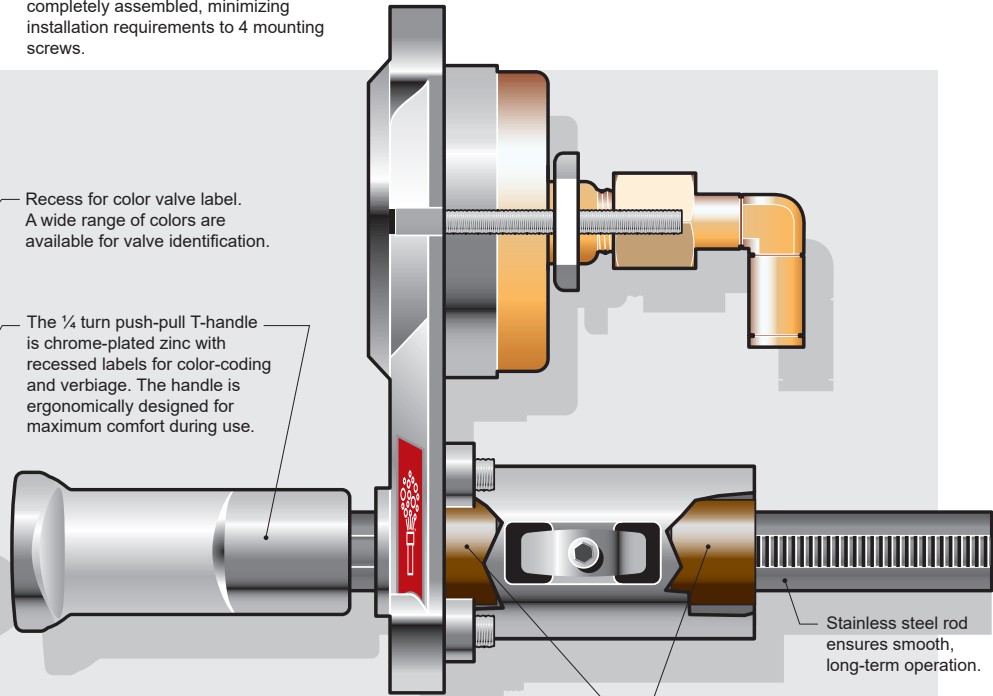


Verbiage labels to clearly identify valve.

Both side-mount control assemblies (with and without gauge) are delivered completely assembled, minimizing installation requirements to 4 mounting screws.

Recess for color valve label. A wide range of colors are available for valve identification.

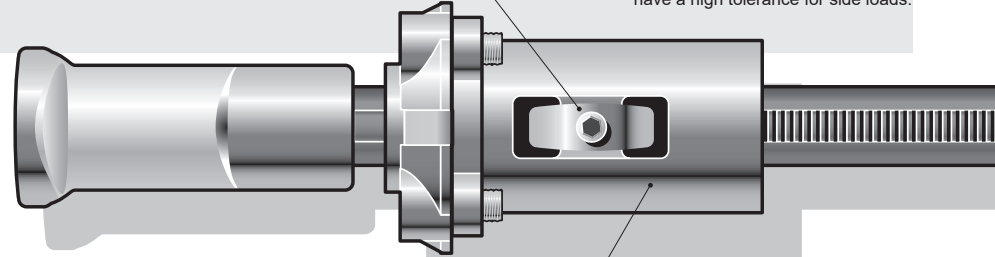
The 1/4 turn push-pull T-handle is chrome-plated zinc with recessed labels for color-coding and verbiage. The handle is ergonomically designed for maximum comfort during use.



Stainless steel rod ensures smooth, long-term operation.

Patented design ensures positive locking and eliminates valve drift. Two laminated stainless steel clips engage stainless steel geared rod. Over 300 lbs. of force is required to break away.

Teflon impregnated bronze bushings in both ends of cast stainless steel rod housing minimize rod deflection, never need lubrication, and ensure consistent long-term operation. The bushings fill pores in control rod to minimize friction and have a high tolerance for side loads.



Rugged stainless steel rod housing

**Innovative Controls Swoop Series
Side Mount Valve Control Assemblies
Stainless Steel Movement**



Bid Specifications

Date Originated:	Revisions:	Revision Date:	Standards No.
Subject:			

Side Mount Push-Pull Valve Controls

For valve actuation, the apparatus pump panel shall be equipped with Innovative Controls Side Mount Valve Controls. The ergonomically designed 1/4 turn push-pull T-handle shall be chrome-plated zinc with recessed labels for color-coding and verbiage. The patented geared control rod, double-laminate locking slips, and rod housing shall be stainless steel and provide a true positive lock that will eliminate valve drift. Bronze and Teflon impregnated stainless steel bushings in both ends of rod housing shall minimize rod deflection, wear and lubrication, and ensure consistent long-term operation.

The control assembly shall include a decorative chrome-plated zinc panel-mounting bezel with recessed color-coding label(s) and, if desired, recessed CAFS or FOAM identifying labels.

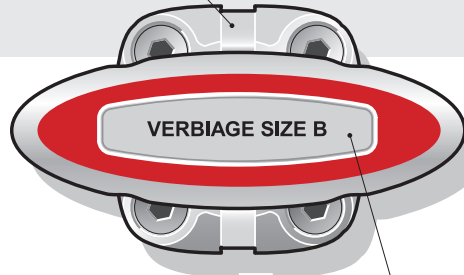
Location of side mount push-pull valve controls shall be:

Bid specifications available:

Optional FOAM or CAFS identifying labels can be installed in recessed areas on bezel.



The zinc decorative mounting bezels are chrome plated to the most stringent SAE standards.

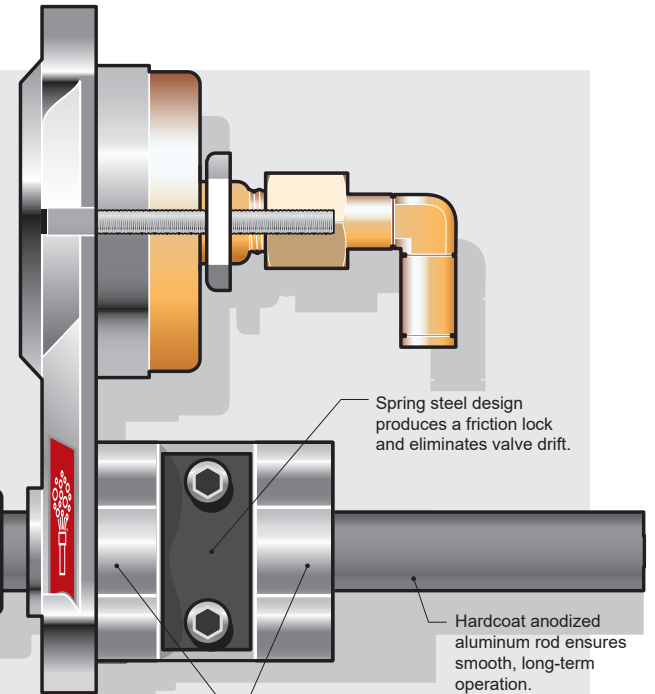


Verbiage labels to clearly identify valve.

Both side-mount control assemblies (with and without gauge) are delivered completely assembled, minimizing installation requirements to 4 mounting screws.

Recess for color valve label. A wide range of colors are available for valve identification.

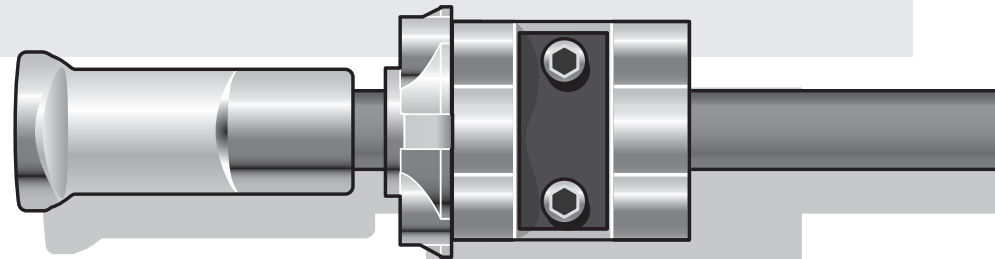
The 1/4 turn push-pull T-handle is chrome-plated zinc with recessed labels for color-coding and verbiage. The handle is ergonomically designed for maximum comfort during use.



Spring steel design produces a friction lock and eliminates valve drift.

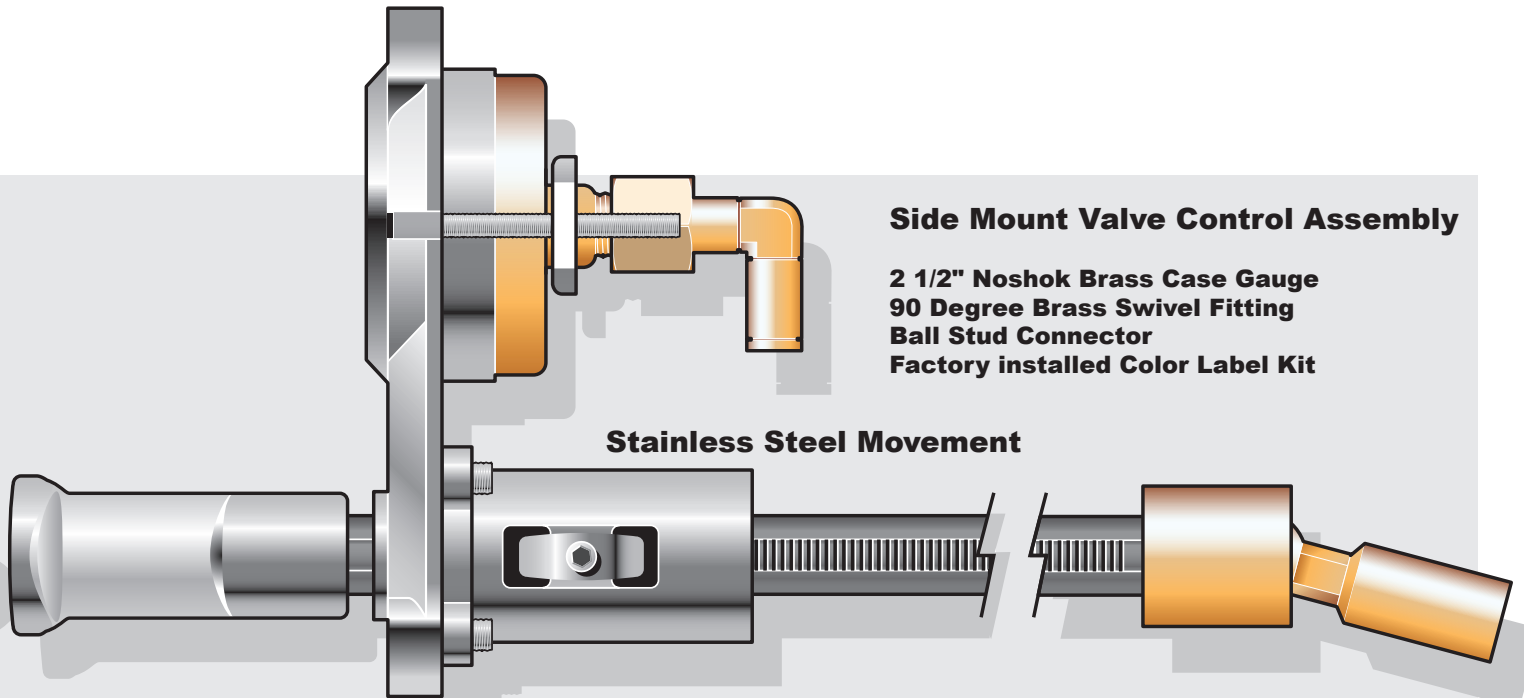
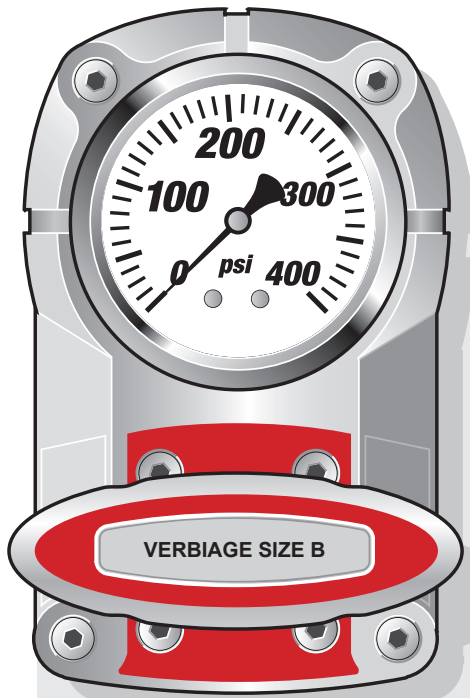
Hardcoat anodized aluminum rod ensures smooth, long-term operation.

Teflon impregnated bronze bushings in both ends of extruded aluminum rod housing minimize rod deflection, never need lubrication, and ensure consistent long-term operation. The bushings fill pores in control rod to minimize friction and have a high tolerance for side loads.



**Innovative Controls Swoop Series
Side Mount Valve Control Assemblies
Aluminum Movement**

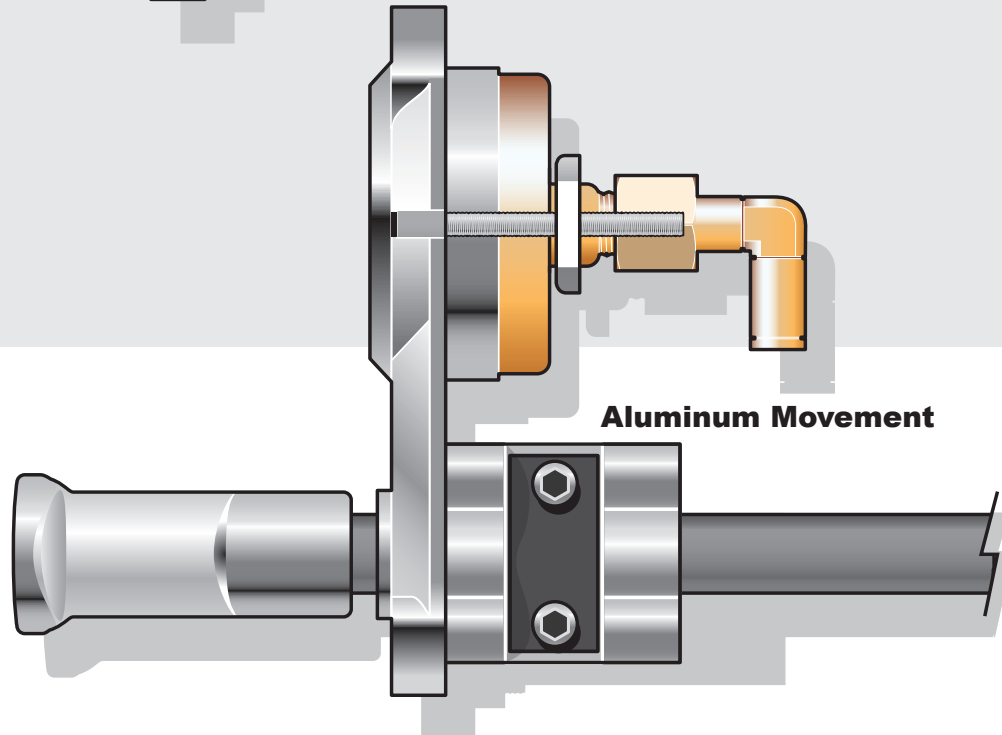




Side Mount Valve Control Assembly

- 2 1/2" Noshok Brass Case Gauge**
- 90 Degree Brass Swivel Fitting**
- Ball Stud Connector**
- Factory installed Color Label Kit**

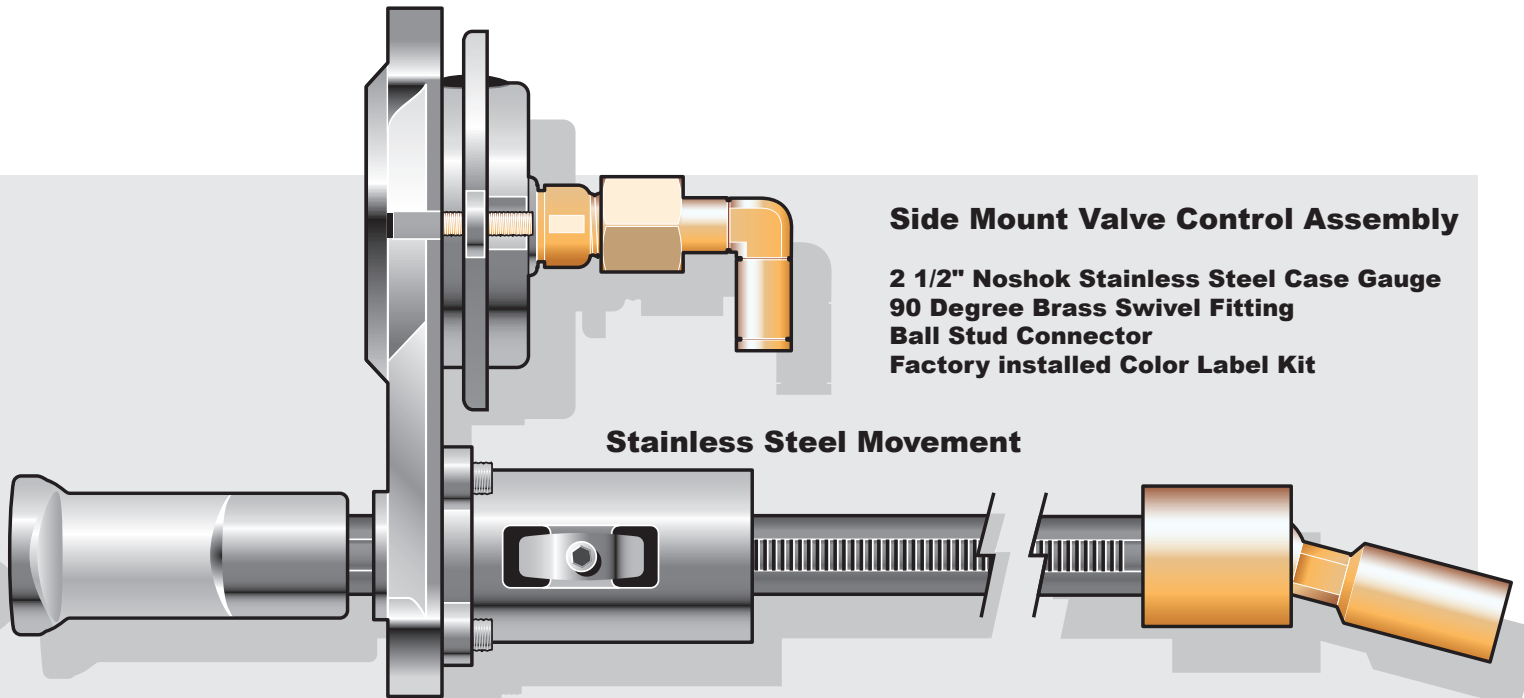
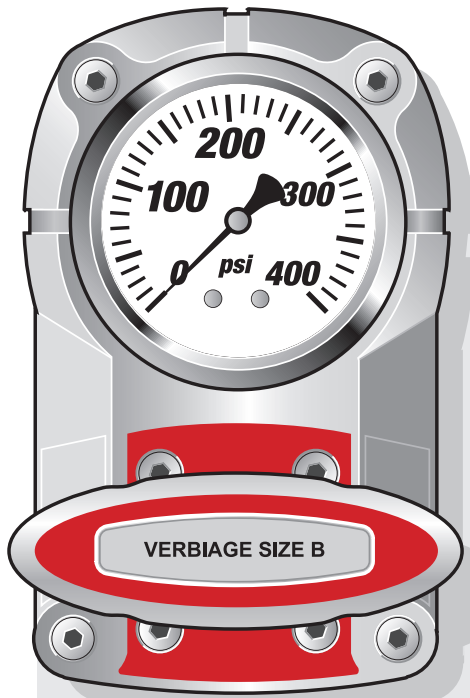
Stainless Steel Movement



Aluminum Movement

Innovative Controls Inc
Side Mount Valve Control Assemblies

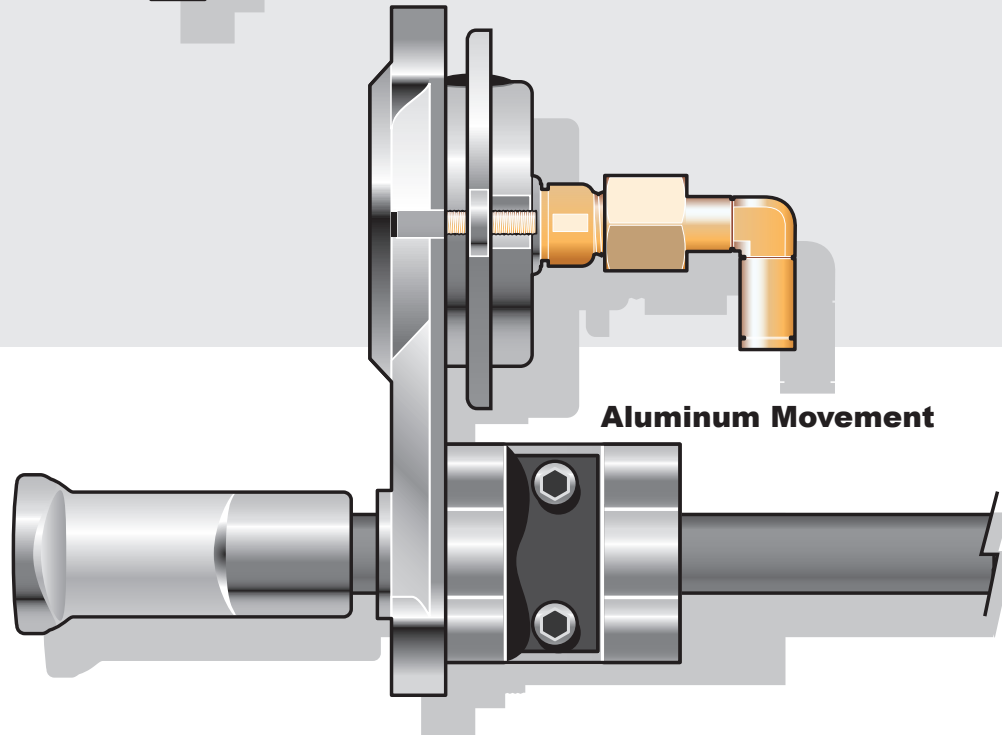




Side Mount Valve Control Assembly

- 2 1/2" Noshok Stainless Steel Case Gauge
- 90 Degree Brass Swivel Fitting
- Ball Stud Connector
- Factory installed Color Label Kit

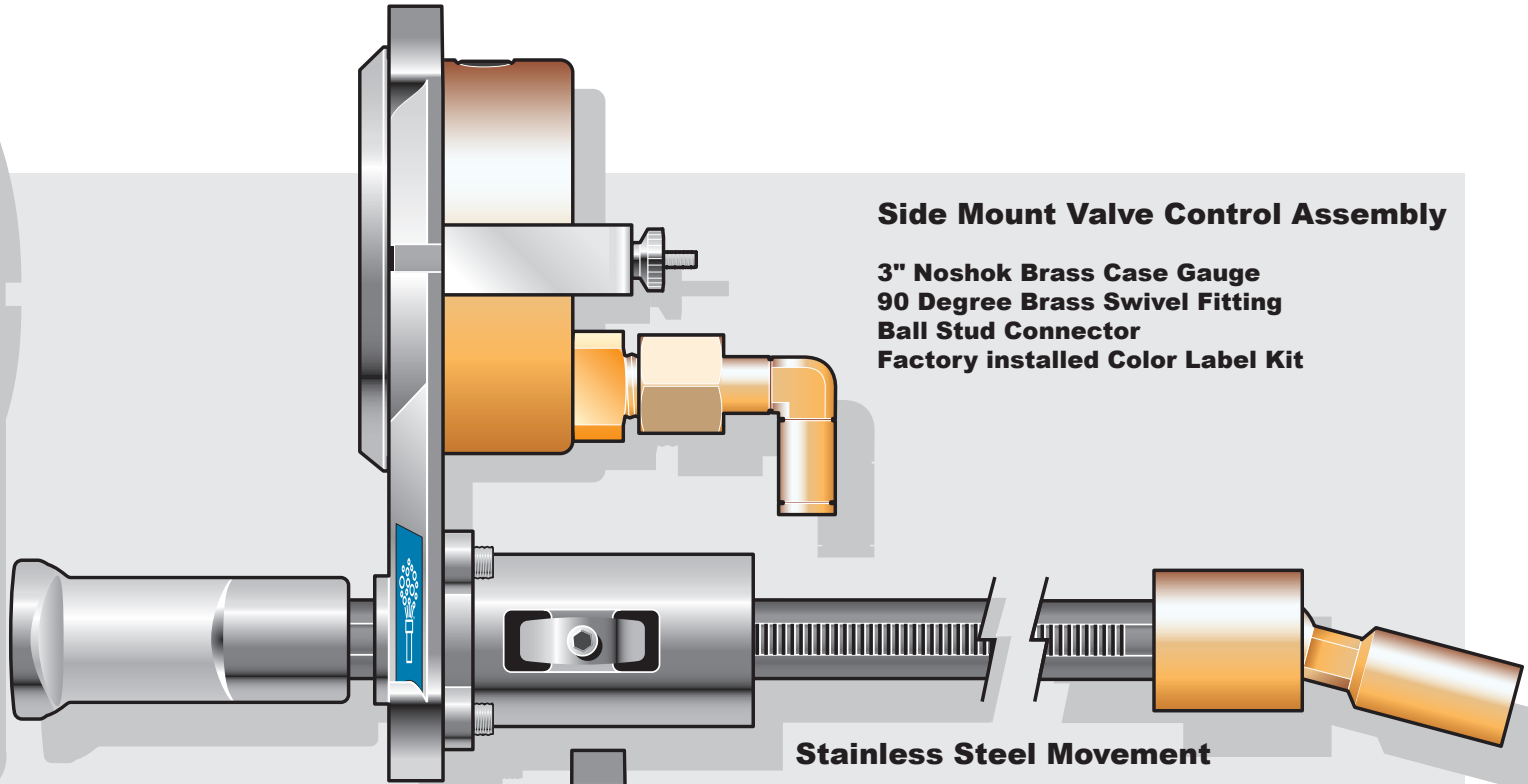
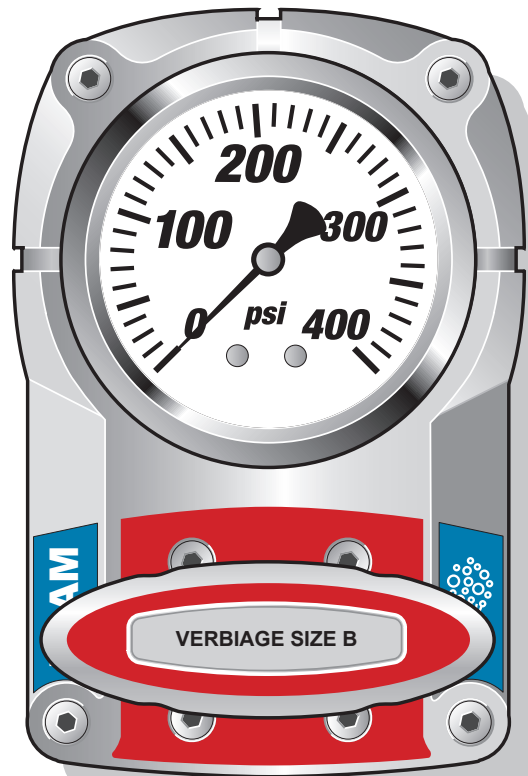
Stainless Steel Movement



Aluminum Movement

Innovative Controls Inc
Side Mount Valve Control Assemblies

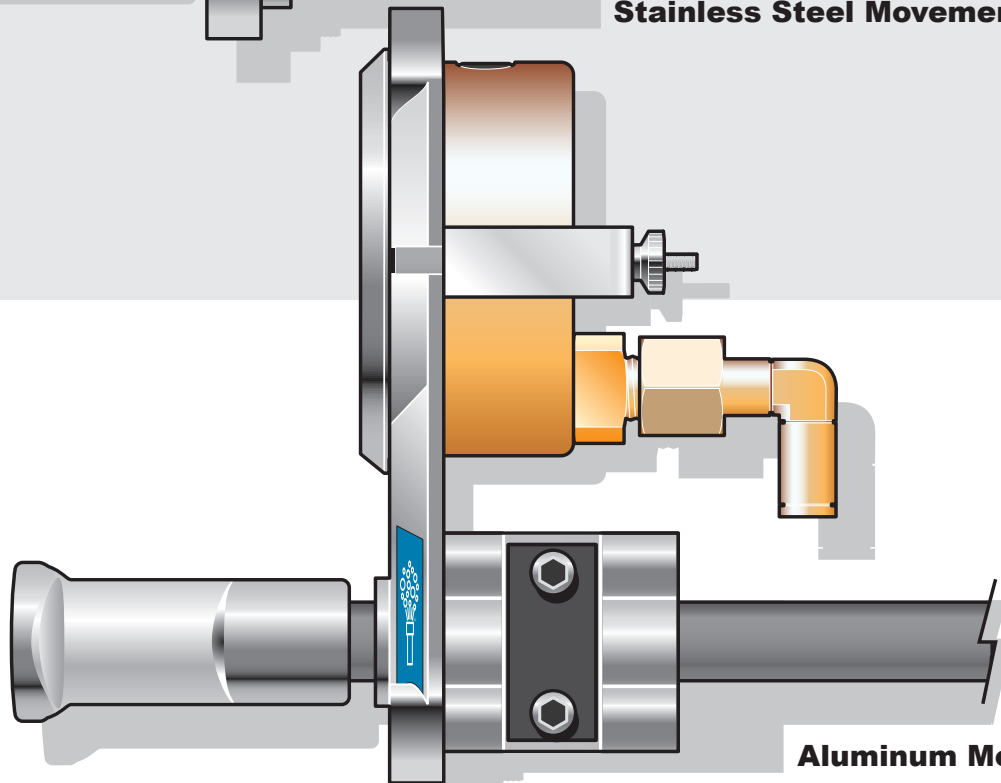




Side Mount Valve Control Assembly

- 3" Noshok Brass Case Gauge**
- 90 Degree Brass Swivel Fitting**
- Ball Stud Connector**
- Factory installed Color Label Kit**

Stainless Steel Movement



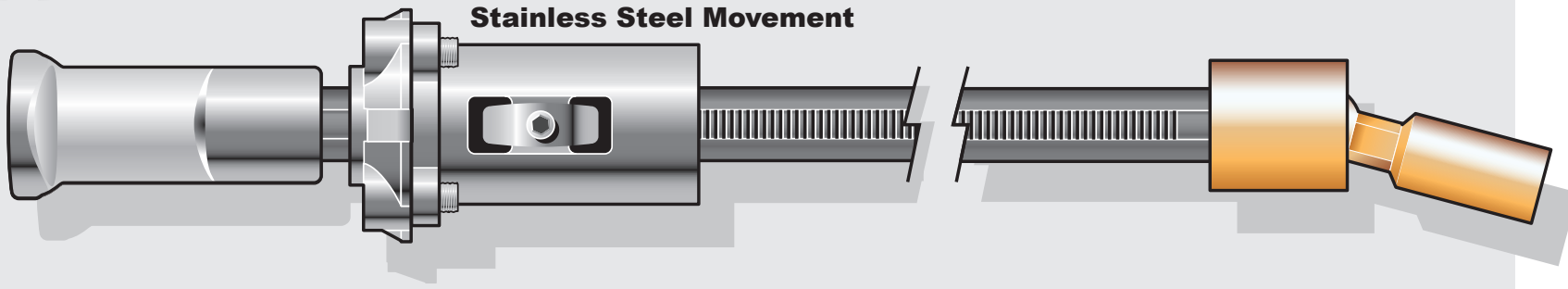
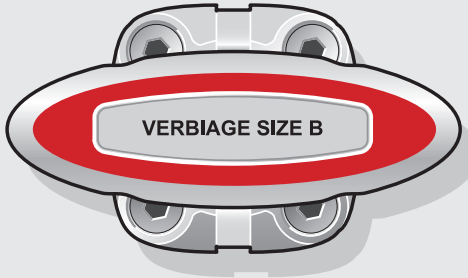
Aluminum Movement

Innovative Controls Inc
Side Mount Valve Control Assemblies

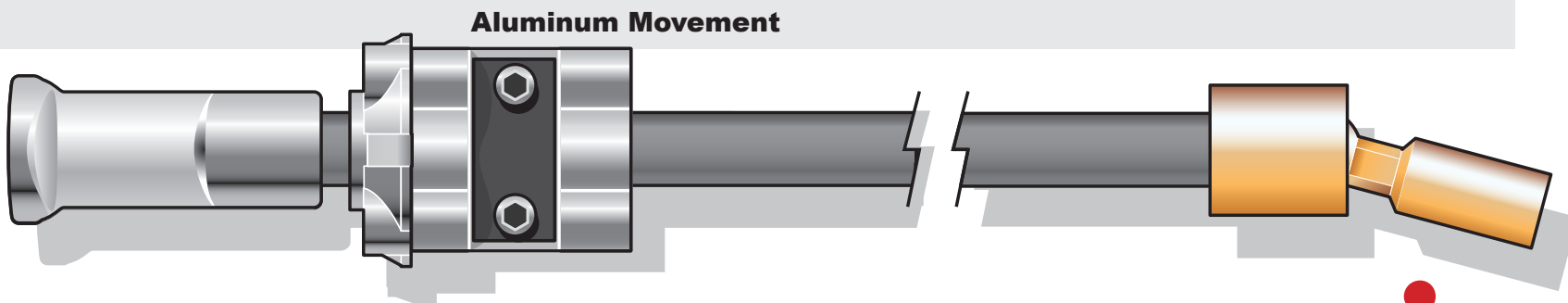


**Side Mount Valve Control Assemblies
Without Gauge**

Ball Stud Connector



Stainless Steel Movement



Aluminum Movement



XXXXXXXX-XX-XXXXXX-XX

Gauge & Bezel Size

- 3040185 - 2.5" Brass Case
- 3040186 - 3.0" Brass Case
- 3040321 - 2.5" Stainless Steel Case

Rod End Connector

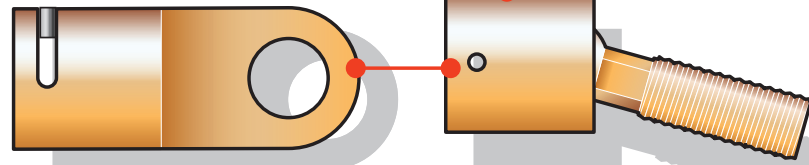
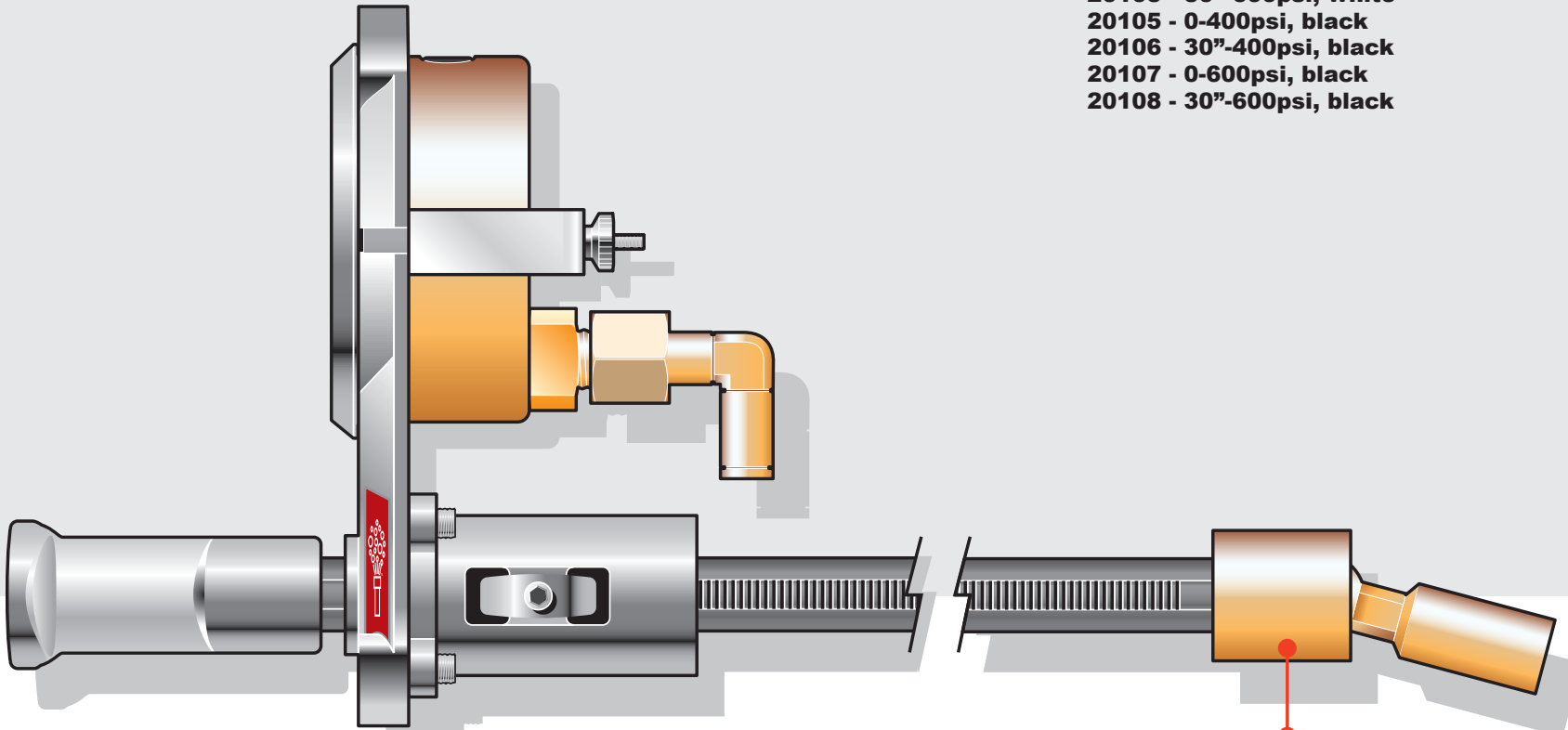
- 01 Male Ball Stud
- 02 Female Ball Stud
- 03 Rod Eye Yoke

Gauge Range and Background

- 20100 - 0-400psi, white
- 20101 - 30"-400psi, white
- 20102 - 0-600psi, white
- 20103 - 30"-600psi, white
- 20105 - 0-400psi, black
- 20106 - 30"-400psi, black
- 20107 - 0-600psi, black
- 20108 - 30"-600psi, black

Color

- 01 Red
- 02 Orange
- 03 Yellow Label
- 04 Yellow/White
- 05 Mint Green
- 06 Lime Green
- 07 Olive
- 08 Green
- 09 Turquoise
- 10 Light Blue
- 11 Blue
- 12 Navy Blue
- 13 Lavender
- 14 Purple
- 15 Magenta
- 16 Burgundy
- 17 Beige
- 18 Rust
- 19 Brown
- 20 Silver
- 21 Platinum
- 22 Graphite
- 23 White
- 24 Black
- 25 Gold
- NC No Color



02 Female Ball Stud

03 Rod Eye Yoke

01 Male Ball Stud

Innovative Controls Inc
Side Mount Valve Control Assemblies
Stainless Steel Movement



XXXXXXXX-XX-XXXXXX-XX

Gauge & Bezel Size

- 3040314 - 2.5" Brass Case
- 3040315 - 3.0" Brass Case
- 3040316 - 2.5" Stainless Steel Case

Rod End Connector

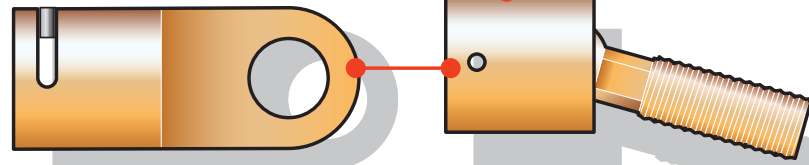
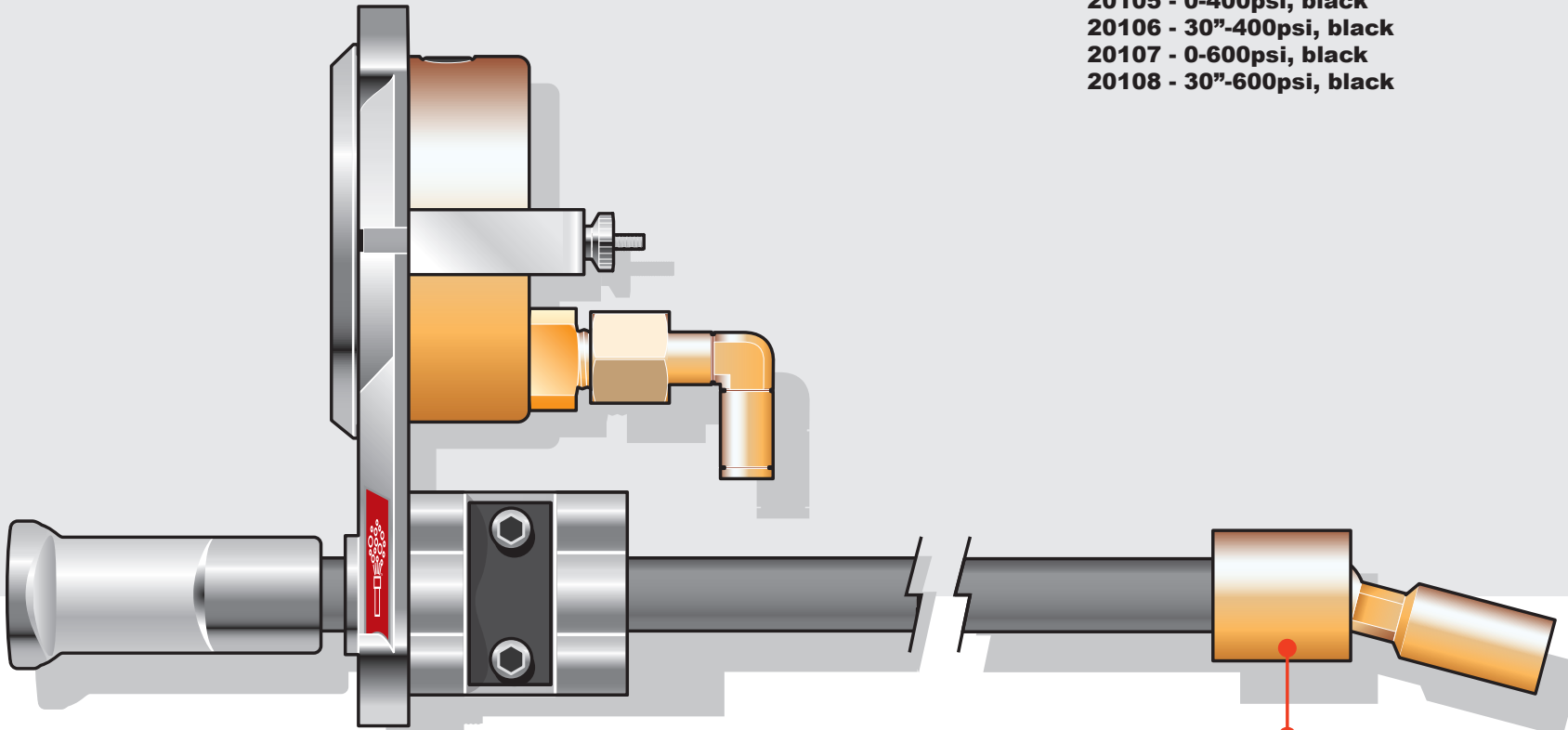
- 01 Male Ball Stud
- 02 Female Ball Stud
- 03 Rod Eye Yoke

Gauge Range and Background

- 20100 - 0-400psi, white
- 20101 - 30"-400psi, white
- 20102 - 0-600psi, white
- 20103 - 30"-600psi, white
- 20105 - 0-400psi, black
- 20106 - 30"-400psi, black
- 20107 - 0-600psi, black
- 20108 - 30"-600psi, black

Color

- 01 Red
- 02 Orange
- 03 Yellow Label
- 04 Yellow/White
- 05 Mint Green
- 06 Lime Green
- 07 Olive
- 08 Green
- 09 Turquoise
- 10 Light Blue
- 11 Blue
- 12 Navy Blue
- 13 Lavender
- 14 Purple
- 15 Magenta
- 16 Burgundy
- 17 Beige
- 18 Rust
- 19 Brown
- 20 Silver
- 21 Platinum
- 22 Graphite
- 23 White
- 24 Black
- 25 Gold
- NC No Color



02 Female Ball Stud

03 Rod Eye Yoke

01 Male Ball Stud

Innovative Controls Inc
Side Mount Valve Control Assemblies
Aluminum Movement



3040067-XX-XX

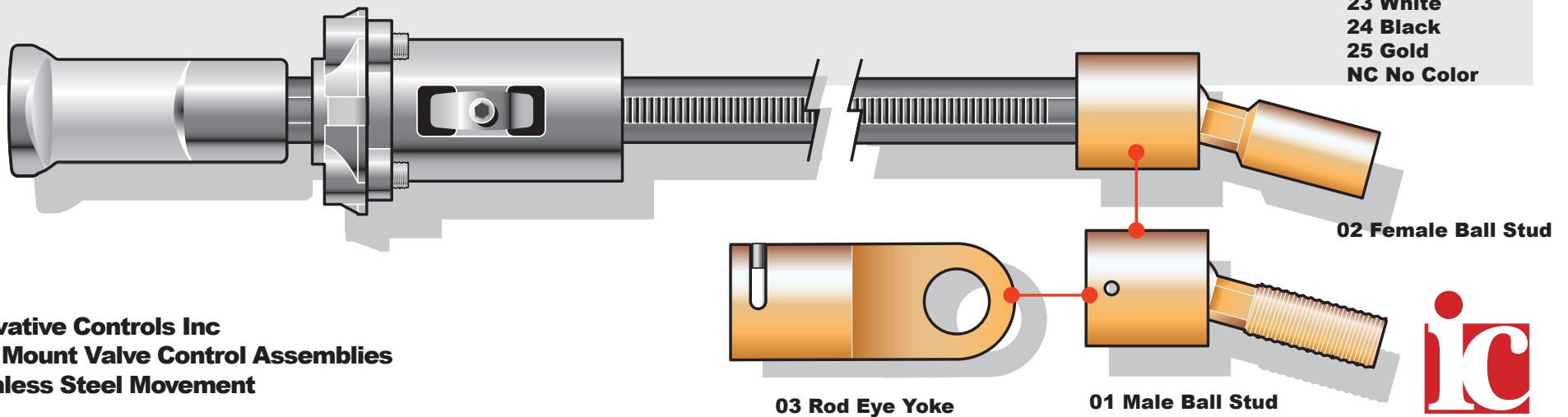
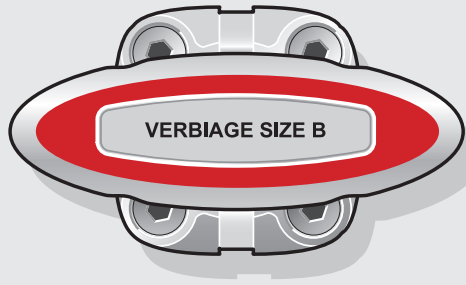
Bezel & Rod Assembly

Rod End Connector

Color

- 01 Male Ball Stud
- 02 Female Ball Stud
- 03 Rod Eye Yoke

- 01 Red
- 02 Orange
- 03 Yellow Label
- 04 Yellow/White
- 05 Mint Green
- 06 Lime Green
- 07 Olive
- 08 Green
- 09 Turquoise
- 10 Light Blue
- 11 Blue
- 12 Navy Blue
- 13 Lavender
- 14 Purple
- 15 Magenta
- 16 Burgundy
- 17 Beige
- 18 Rust
- 19 Brown
- 20 Silver
- 21 Platinum
- 22 Graphite
- 23 White
- 24 Black
- 25 Gold
- NC No Color



Innovative Controls Inc
Side Mount Valve Control Assemblies
Stainless Steel Movement



3040317-XX-XX

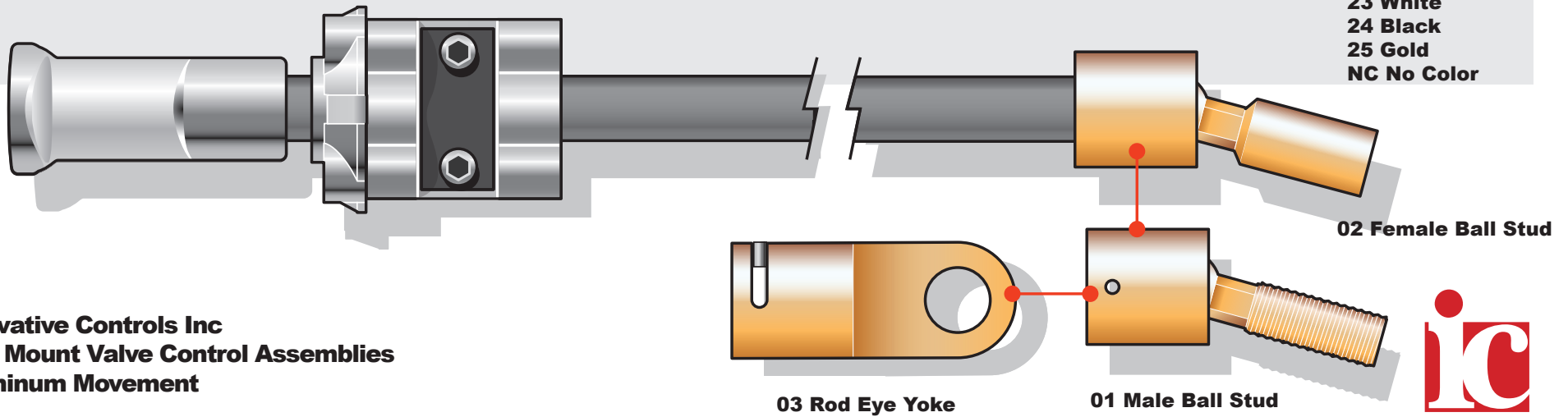
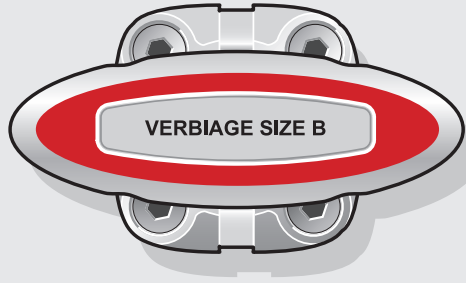
Bezel & Rod Assembly

Rod End Connector

Color

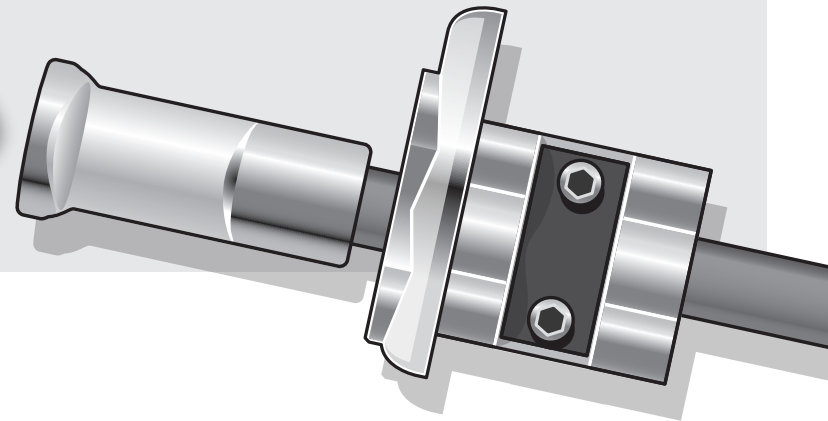
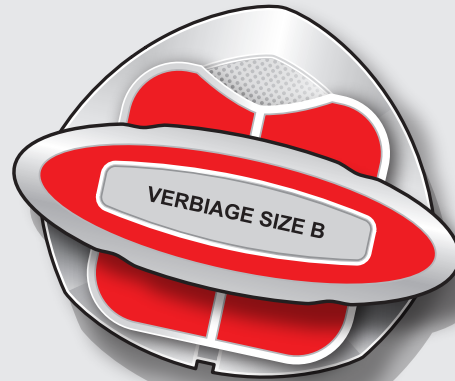
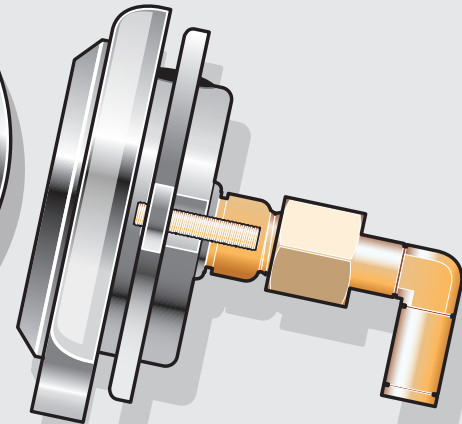
- 01 Male Ball Stud
- 02 Female Ball Stud
- 03 Rod Eye Yoke

- 01 Red
- 02 Orange
- 03 Yellow Label
- 04 Yellow/White
- 05 Mint Green
- 06 Lime Green
- 07 Olive
- 08 Green
- 09 Turquoise
- 10 Light Blue
- 11 Blue
- 12 Navy Blue
- 13 Lavender
- 14 Purple
- 15 Magenta
- 16 Burgundy
- 17 Beige
- 18 Rust
- 19 Brown
- 20 Silver
- 21 Platinum
- 22 Graphite
- 23 White
- 24 Black
- 25 Gold
- NC No Color

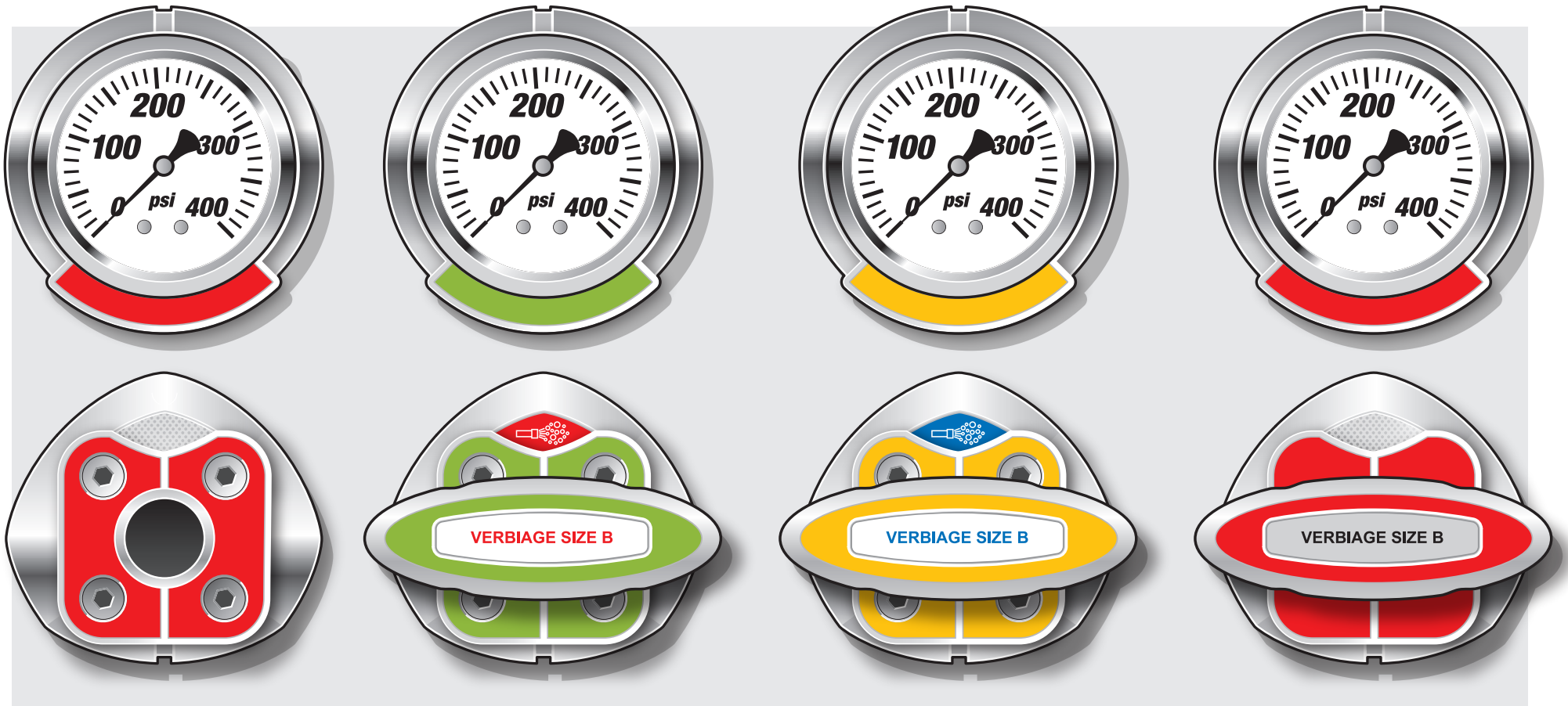


Innovative Controls Inc
Side Mount Valve Control Assemblies
Aluminum Movement





**IC Curve
Side Mount Valve Controls
Gauge and Rod Bezels**



with FOAM

with CAFS

labels cover screws

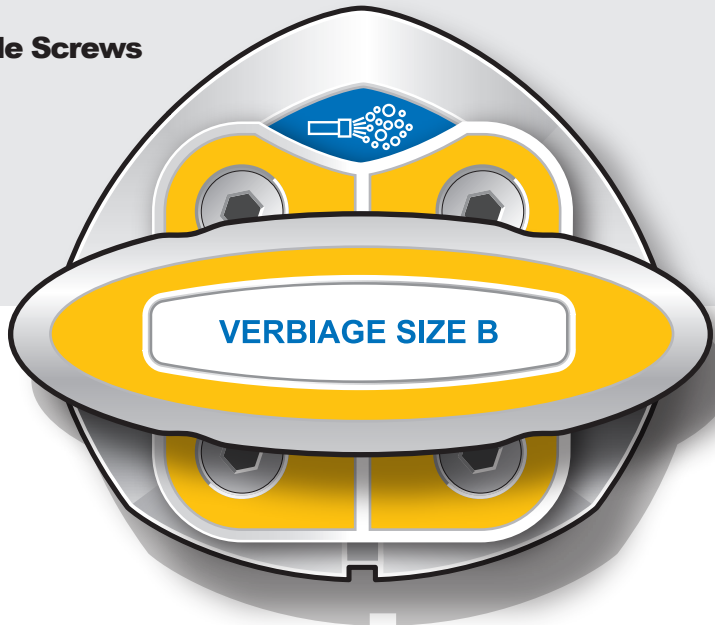
**IC Curve
Side Mount Valve Control and
Gauge Bezel Assemblies**



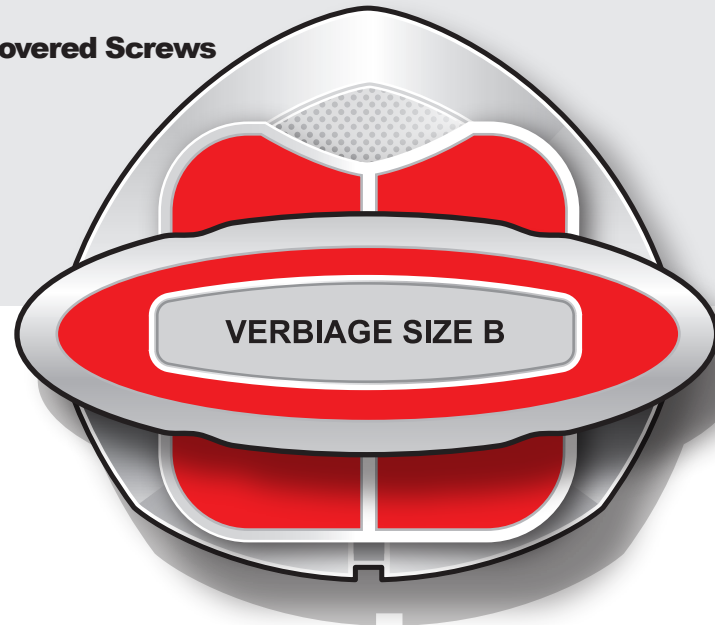
Actual Size



Visible Screws

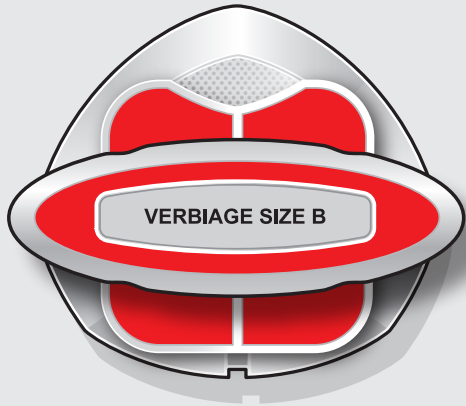


Covered Screws



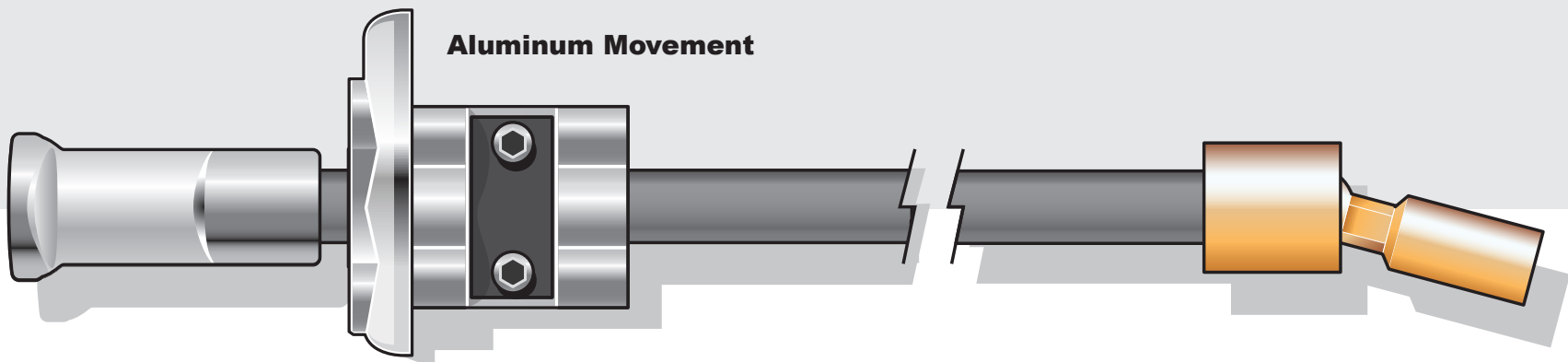
IC Curve
Side Mount Valve Control and
Gauge Bezel Assemblies





**Side Mount Valve Control Assembly
Without Gauge**

Female Ball Stud Connector

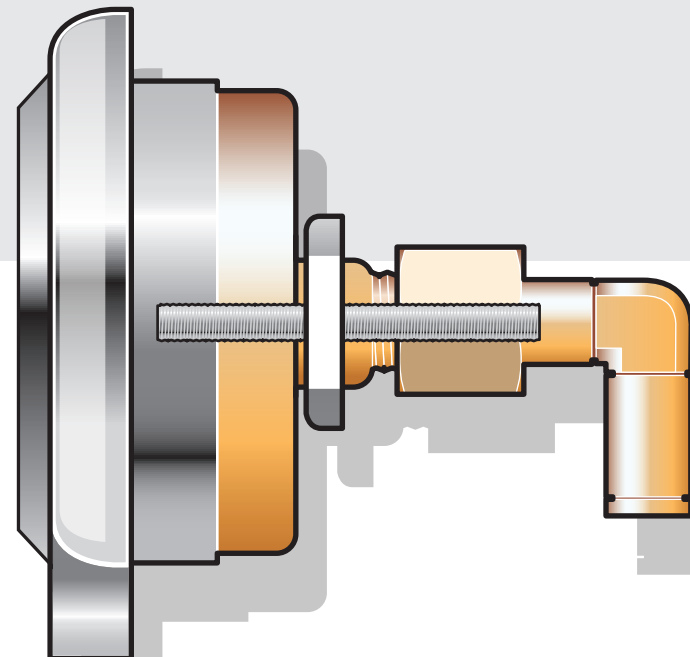
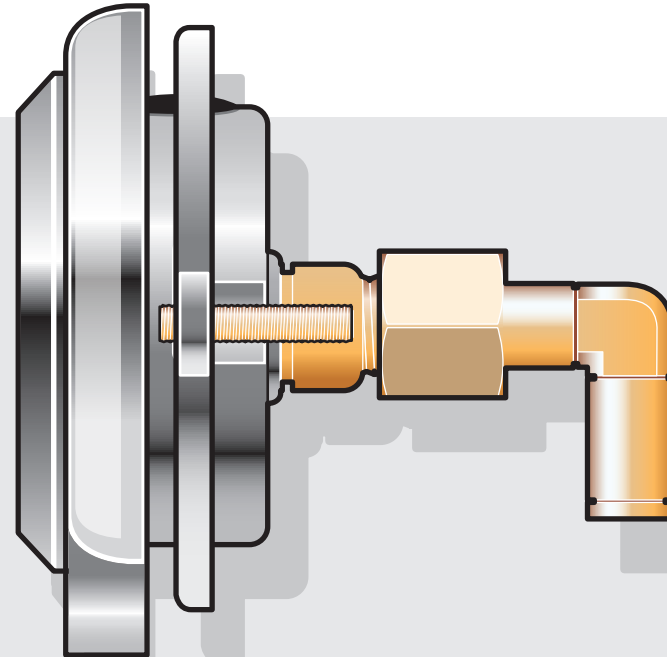


**IC Curve
Side Mount Valve Control and
Gauge Bezel Assemblies**



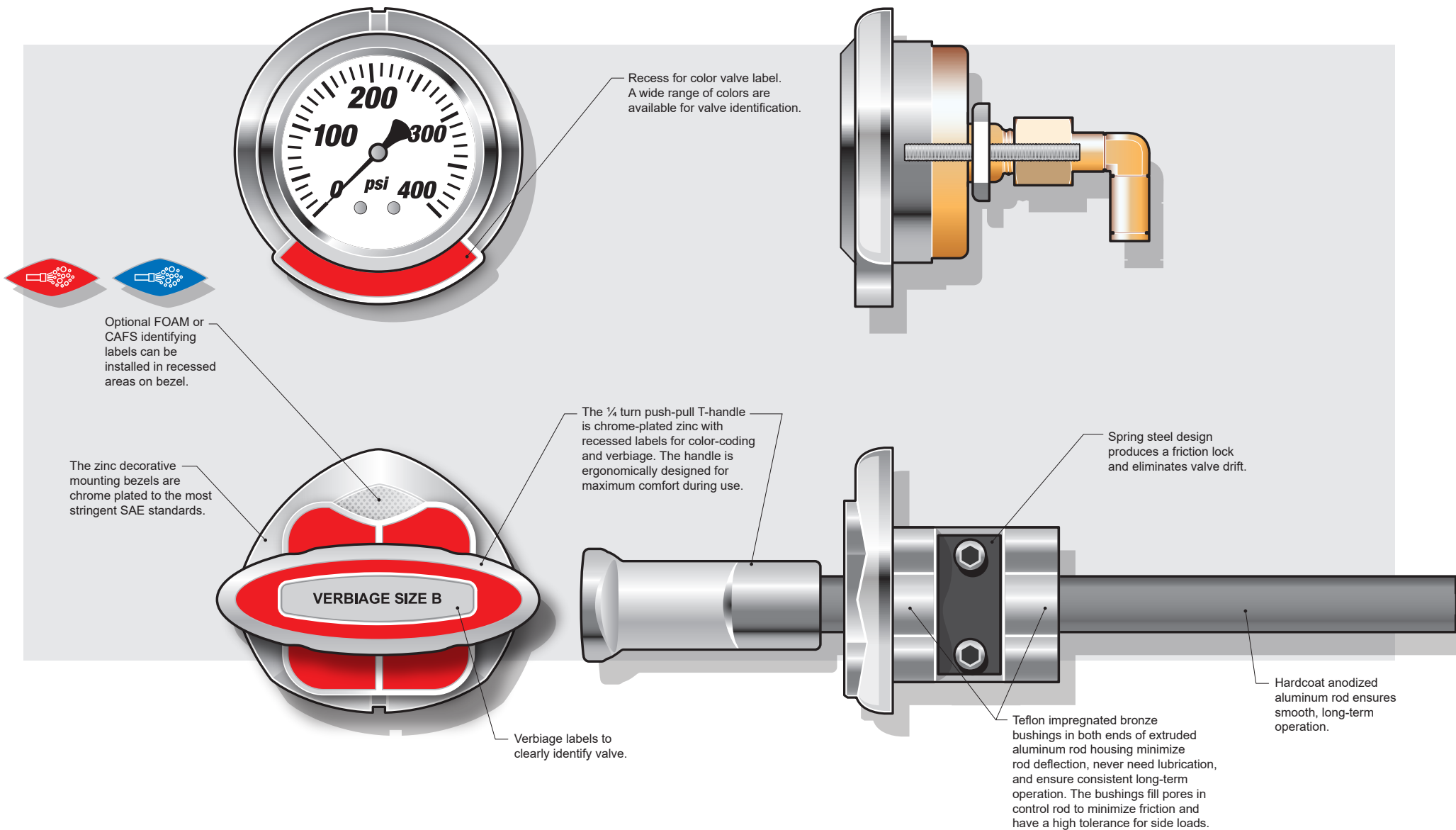
Gauge Options

With 2 1/2" Stainless Steel Case Gauge



**IC Curve
Side Mount Valve Control and
Gauge Bezel Assemblies**

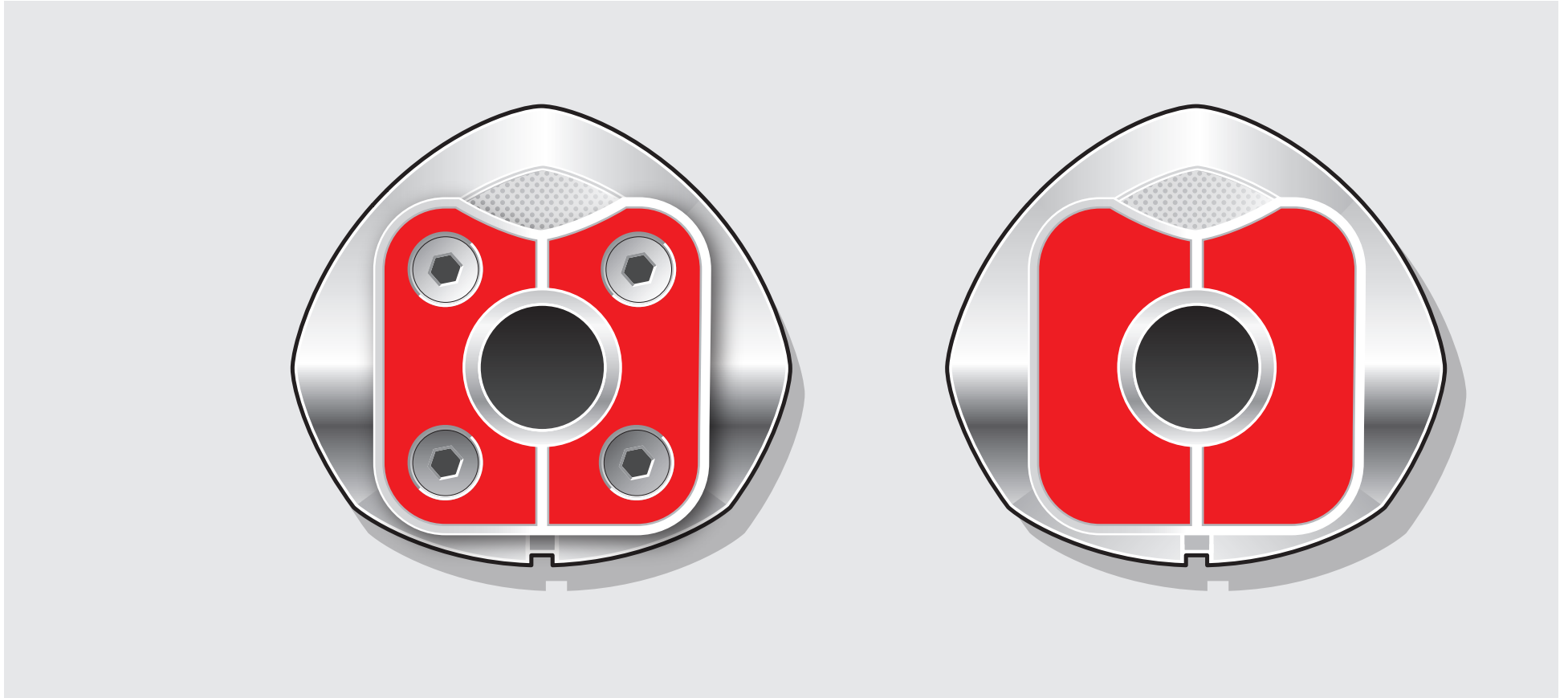




**IC Curve
Side Mount Valve Control and
Gauge Bezel Assemblies**



Preferences



**IC Curve
Side Mount Valve Control and
Gauge Bezel Assemblies**

